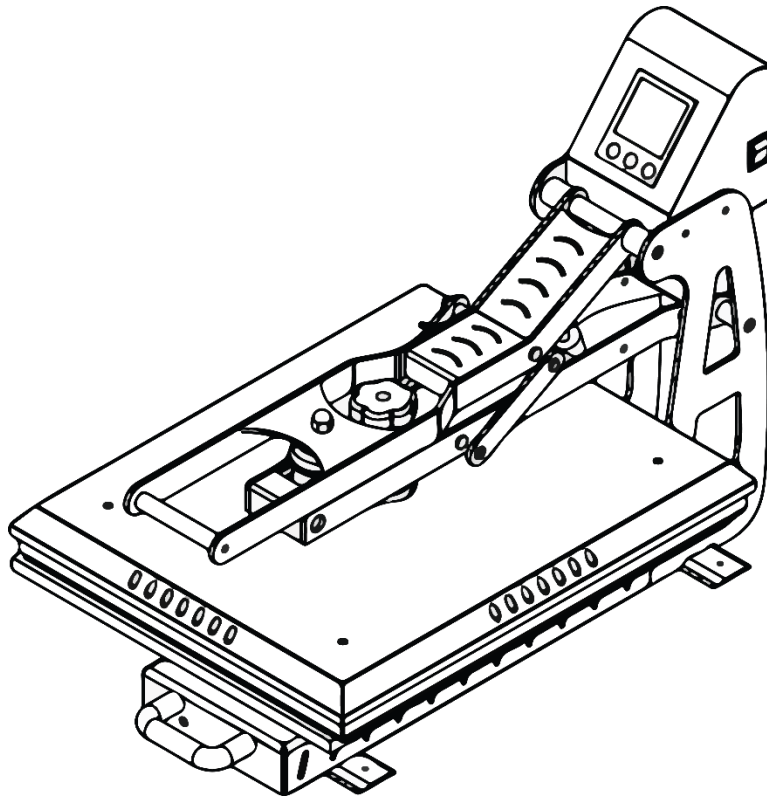




**16" x 20" Heat Press  
User Manual**



THIS PAGE INTENTIONALLY LEFT BLANK

---

# Table of Contents

Introduction .....	4
Package Contents.....	4
Heat Press Components.....	4
Using the Press.....	5
Setting the Pressure.....	5
Setting the Temperature and Timer .....	5
Changing Temperature Units.....	6
Pressing an Item.....	6
Example Settings.....	6
Maintenance and Safety Information.....	7
Troubleshooting.....	7

# Table of Figures

Figure 1 - Labelled Component Diagram .....	4
Figure 2 - Heat Press Temperature and Timer Setting .....	5
Figure 3 - Changing Temperature Units.....	6
Figure 4 - Example Settings.....	6

---

## Introduction

This flatbed heat press machine allows you to control temperature, pressure and press time to:

- Apply Heat Transfer Vinyl onto a t-shirt or jersey
- Seal garment printer inks and pre-treatments into a t-shirt
- Use to apply print-and-cut transfers onto an item
- Apply sublimation, white toner, or Direct-to-Film transfers

## Package Contents

- 1 x Heat Press Machine
- 1 x User Manual

## Heat Press Components

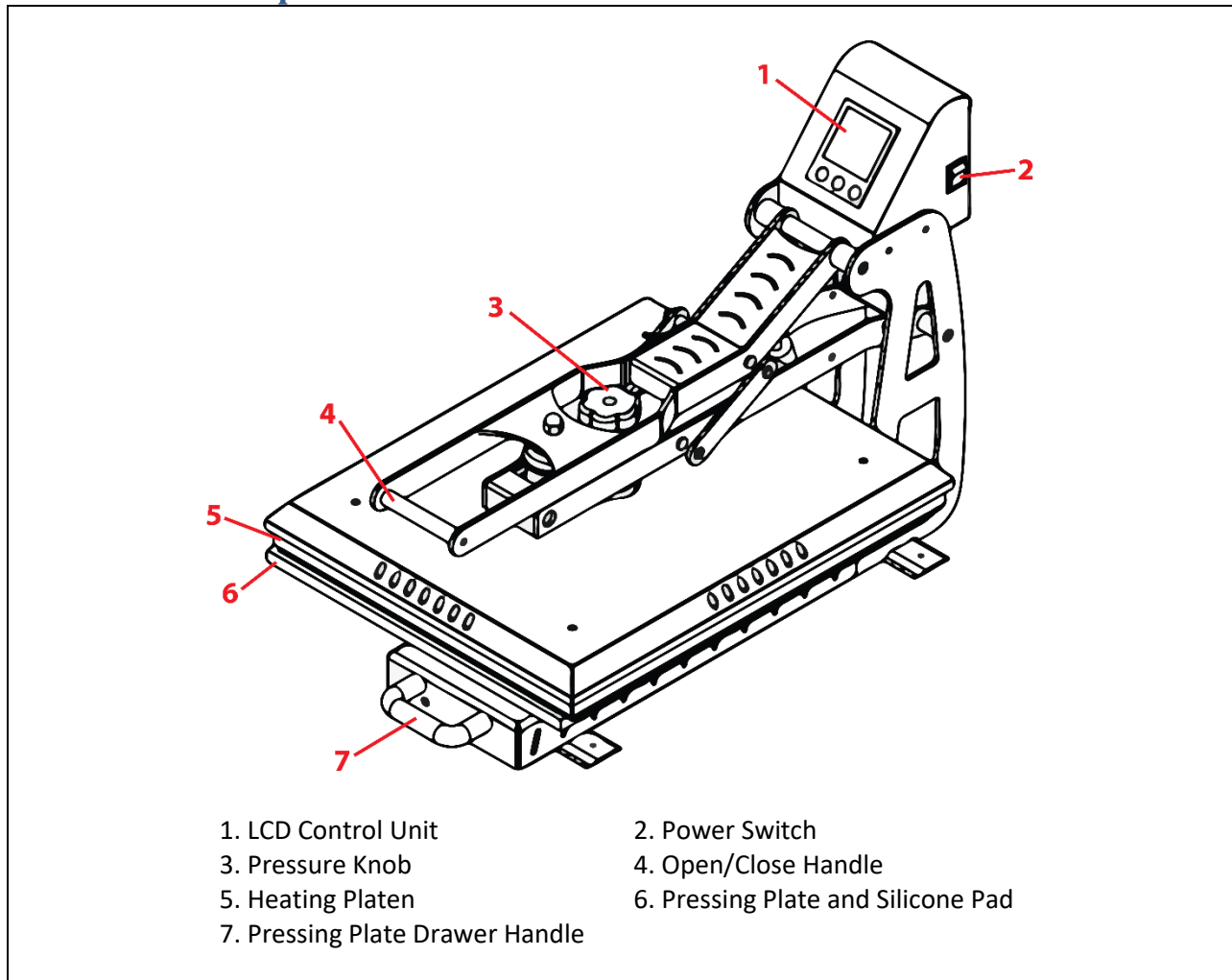


Figure 1 - Labelled Component Diagram

## Using the Press

### Setting the Pressure

While the press is turned off and cold it is important to adjust the pressure that will be placed on the item being pressed.

1. Open the press by lifting up on the handle
2. Place the item to be pressed on the press bed and ensure correct positioning
3. Press down on the handle to close the heat press
4. Adjust the pressure up or down using the pressure knob (see "Figure 1 - Labelled Component Diagram" on page 4) and test the pressure again
5. Repeat as needed until the desired pressure is achieved

### Setting the Temperature and Timer

Make sure the power cord is securely connected to an electrical outlet and turn the power on with the switch on the side of the LCD control unit (see "Figure 1 - Labelled Component Diagram" on page 4).

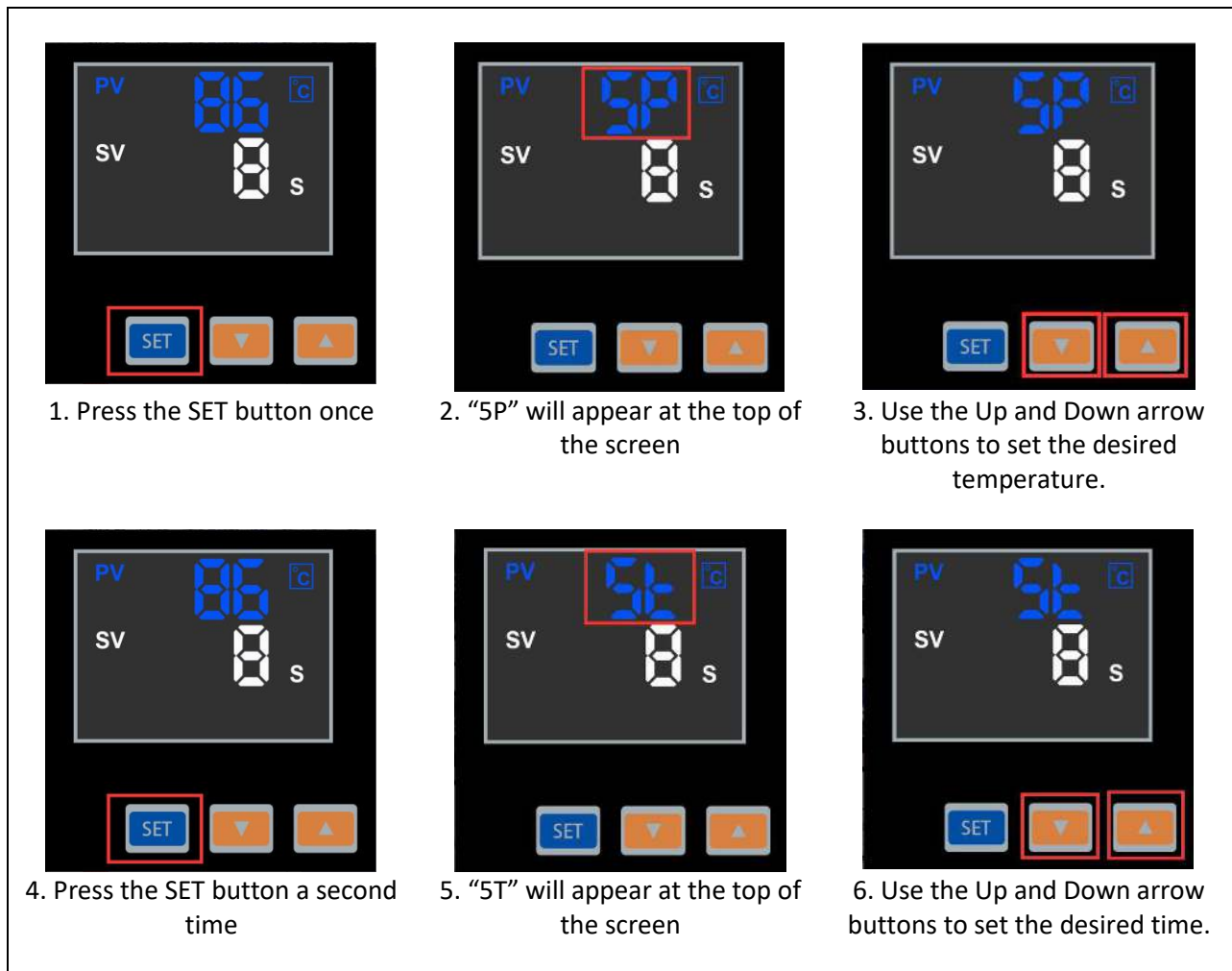


Figure 2 - Heat Press Temperature and Timer Setting

Press and hold the SET button for 2 to 3 seconds to complete the setup.

## Changing Temperature Units

You can change the temperature units between Fahrenheit and Celsius by pressing and holding the SET button until you see "CF" at the top of the screen.



Figure 3 - Changing Temperature Units

Use the Up and Down arrows to change between Fahrenheit and Celsius, then press and hold the SET button again to exit to the main screen.

## Pressing an Item

The heat press will make a sound when the set temperature is achieved. Once the press is ready:

1. Place the object to be pressed on (e.g T-shirt) on press bed
2. Place the transfer (print, heat transfer vinyl, etc.) on top of the object to be pressed
3. Close the press and the timer will start automatically
4. The press will make a sound and automatically open when the timer reaches 0.

**SPECIAL NOTE** - It is always advisable to place a sheet of parchment paper between the heat platen and the items being pressed – this protects your platen from potential fouling from the transfer.

## Example Settings

While these settings can be used as a guideline you should always use temperature, pressure and time recommendations from the manufacturer of the item you are pressing. **The values provided below are just estimates.**

Item/Surface	Press Time	Temperature	Pressure
<b>Fiber/Fabric/Polyester</b>	35-40 seconds	180°C (356°F)	40 PSI (Medium)
<b>Cotton</b>	20-25 seconds	165°C-170°C (329°F-338°F)	40 PSI (Medium)
<b>Mouse Pad (Neoprene)</b>	25-40 seconds	180°C (356°F)	40 PSI (Medium)
<b>Metal/Aluminum Card</b>	20-25 seconds	180°C (356°F)	40 PSI (Medium)

Figure 4 - Example Settings

## Maintenance and Safety Information

- This machine is not suitable for children
- This machine is not for use with food
- Please turn off the machine and unplug the power cord when the machine is not in use
- The machine will automatically turn off and cool down if not-used for 30 minutes
- You may hear a fan noise when the temperature of heat platen reaches 80°C (176°F). This fan is designed to reduce the temperature of electronic parts to prolong the service life

## Troubleshooting

If you have any issues with your heat press, please visit [painteddonkey.ca/support](https://painteddonkey.ca/support) to find troubleshooting tips and contact information for Painted Donkey.

Thank you!